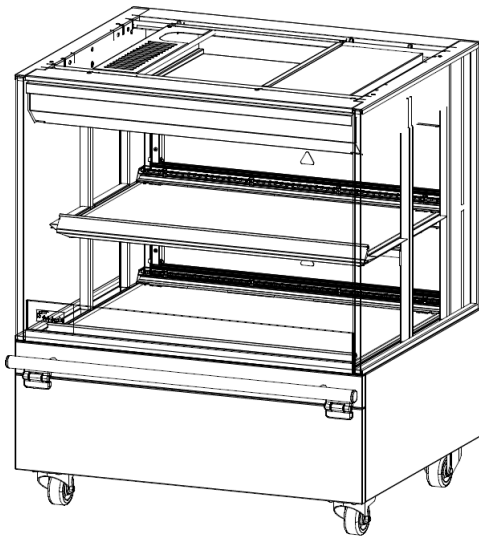


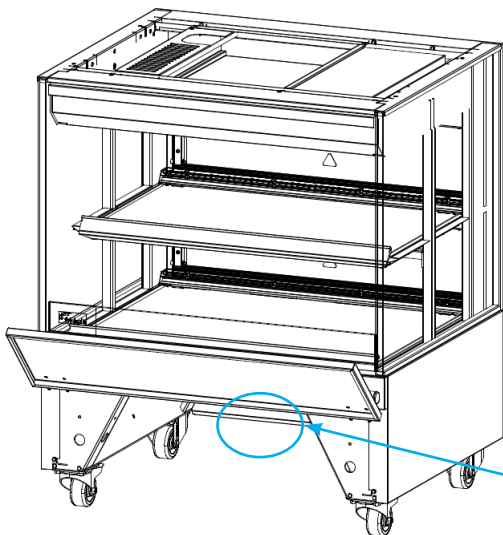
Doc. Nr.	Rev.	Registration form.
		<b>Installation instruction</b>
<b>9124912</b>	<b>0</b>	<b>MSS waste water trolley</b>



For placement of waste water trolley a centring bracket must be placed.

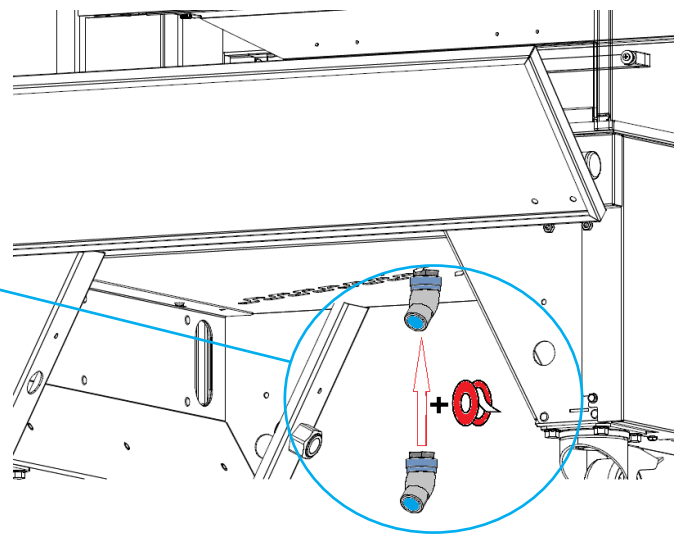
This bracket ensures the waste water trolley to be positioned correctly.

Also a bended drain outlet must be mounted.



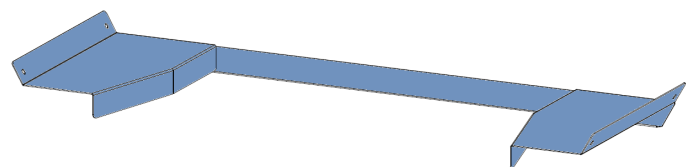
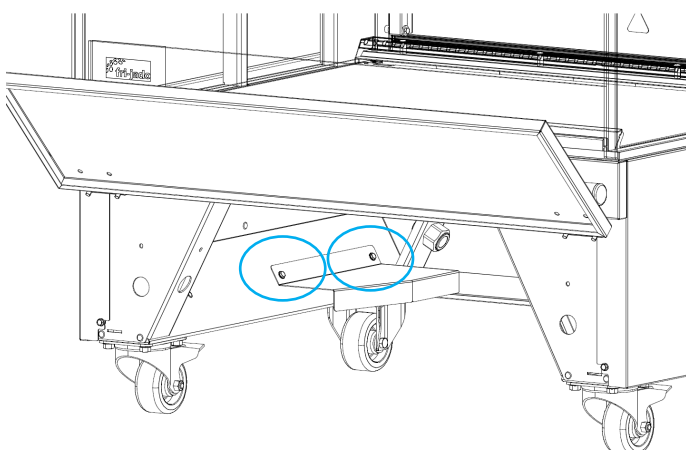
For placement of the bracket and drain outlet, please open the front cover to get access to the trolley space.

Start by placing the drain outlet. Mount this outlet using Teflon tape.

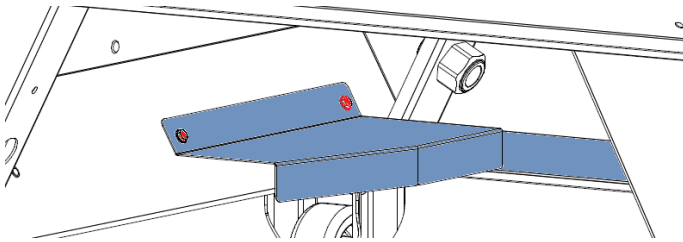


Place bracket into mounting position and fasten with 4 mounting bolts.

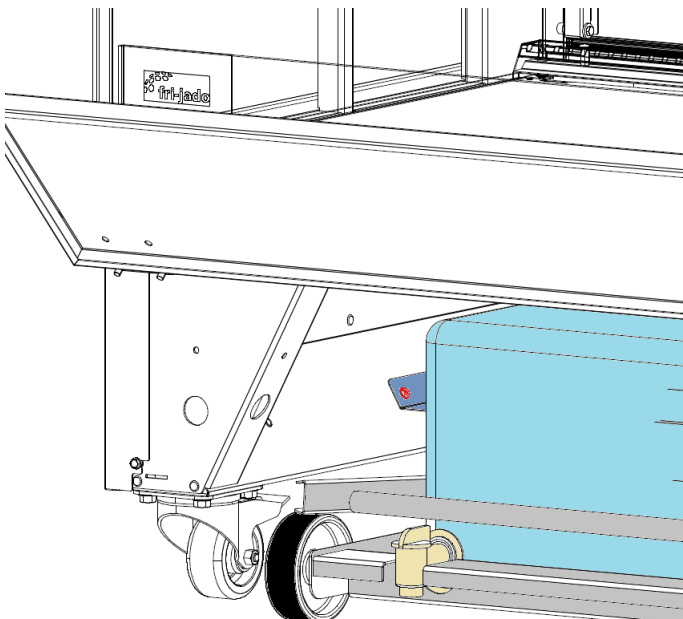
2 bolt on left side  
2 bolts on right side.



Doc. Nr.	Rev.	Registration form.
		<b>Installation instruction</b>
<b>9124912</b>	<b>0</b>	<b>MSS waste water trolley</b>

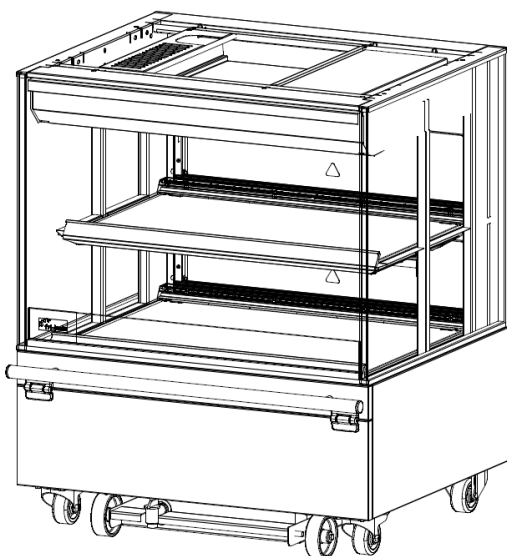


Place bracket into mounting position as seen on drawing



After mounting, the waste water trolley can be placed in position.

When pushing the waste water trolley in, the bracket guides the trolley into its place.



With the waste water trolley in position, the front cover can be closed.